



**eSign**  
Service

# Remote Signing Made Simpler

For use in India

eSign services offer users a new and innovative way to quickly sign documents using cloud based electronic signatures generated via e-KYC or Digital ID of a citizen/resident

Unlike in the past where the users had to carry out e-KYC every time they wanted to generate and use electronic signatures, the new eSign services provided by eMudhra prompts the user to create an eSign account, which is valid for 2 years, and e-verify the credentials by submitting KYC details. Once this is done, the user can login into the eSign account using two-factor authentication and generate legally valid electronic signatures to sign documents any number of times. In the process, this cloud based signing process removes the requirement of complicated hardware (USB Token) or client software to fulfill digital signing requirements of the user.

### Support for Different Document Types

eSign services support remote signing of all types of documents including PDF, Word, Excel, XML, etc. It also supports multi-document signing, subject to limits prescribed by the Government.

Helping Generate Secure Electronic Signatures with Timestamps and Long Term Validity

### Advanced Identity Verification

eSign services facilitates presence less and paperless account creation with remote verification using advanced face recognition technology.

### Support for different KYC modes

eSign services supports multiple modes of identity verification, including e-verification using Bank KYC, Aadhaar Offline KYC, Organization KYC, Passport KYC, Driving License KYC, etc.

### Easy Integration

eSign services can be easily integrated with enterprise applications using ready-to-use integration kits offered by eMudhra in less than 30 minutes

### Compliance

eSignatures generated using eSign services are legally valid and non repudiable under the Indian Information Technology Act, 2000.

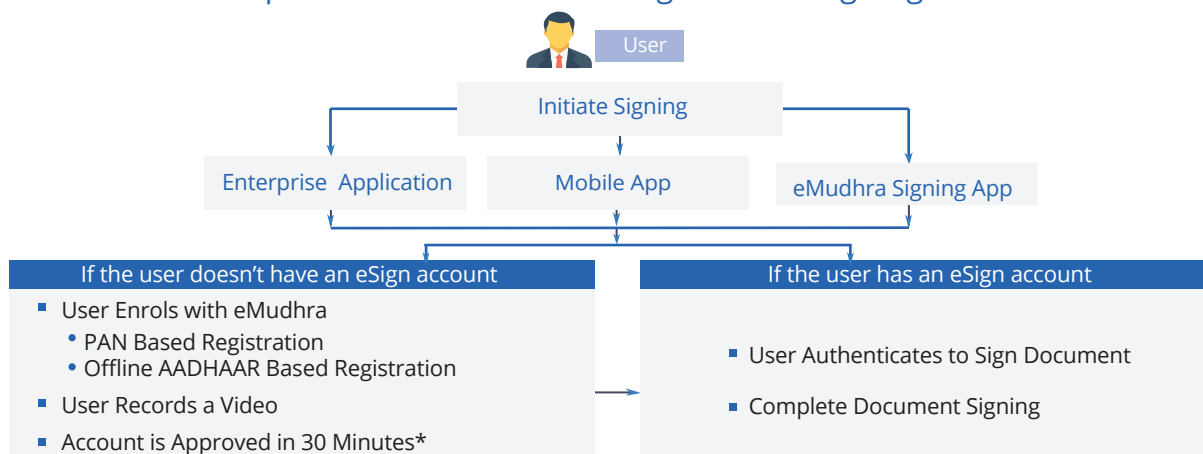
#### Benefits of Using eMudhra's eSign Services

- Instantly sign documents from anywhere, anytime
- Low cost (compared to token certificates, transaction cost)
- No dependency on complicated hardware crypto tokens
- Simplified user experience
- Compatible with your existing business applications, including mobile devices

#### Use Cases

- Bank account opening
- Signing credit card application
- Signing loan applications
- Customer onboarding
- Purchase order signing
- Invoice signing
- Intra-office notes signing and approval
- And many more

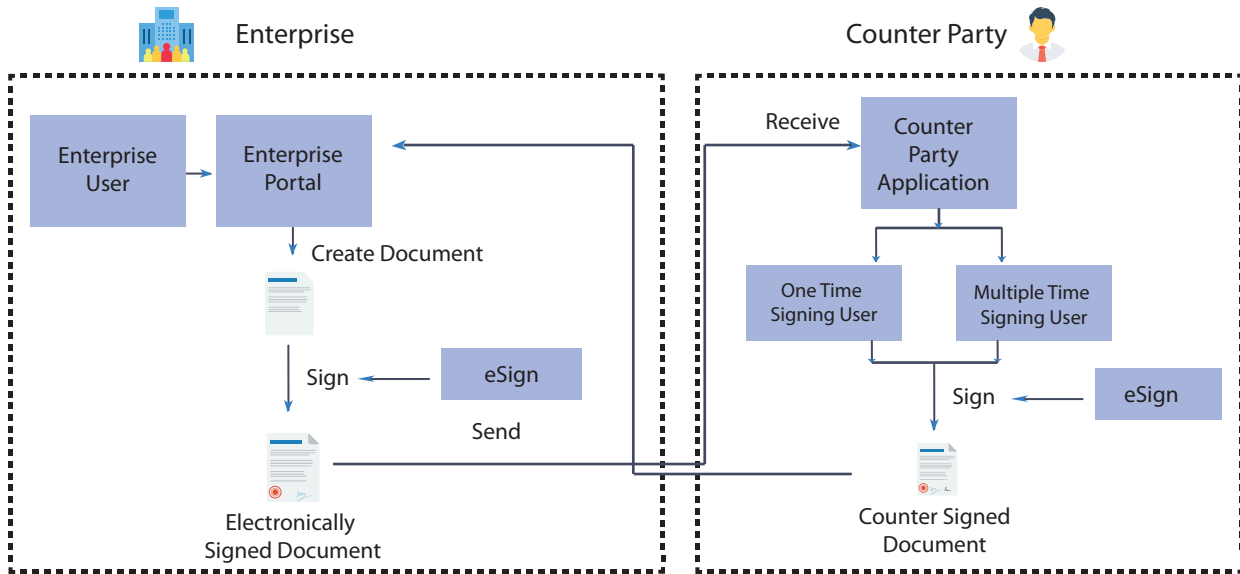
### Steps to Generate Electronic Signature Using eSign Services



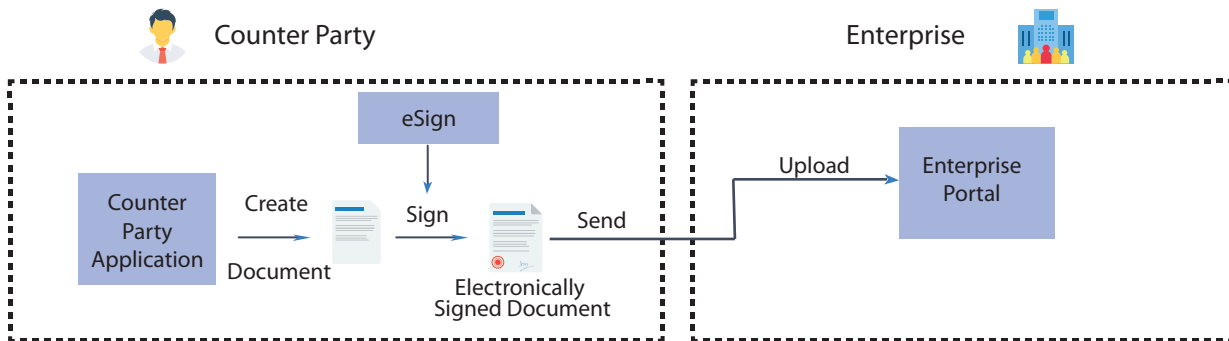
\* Based on document validation & approval

## eSign Workflow

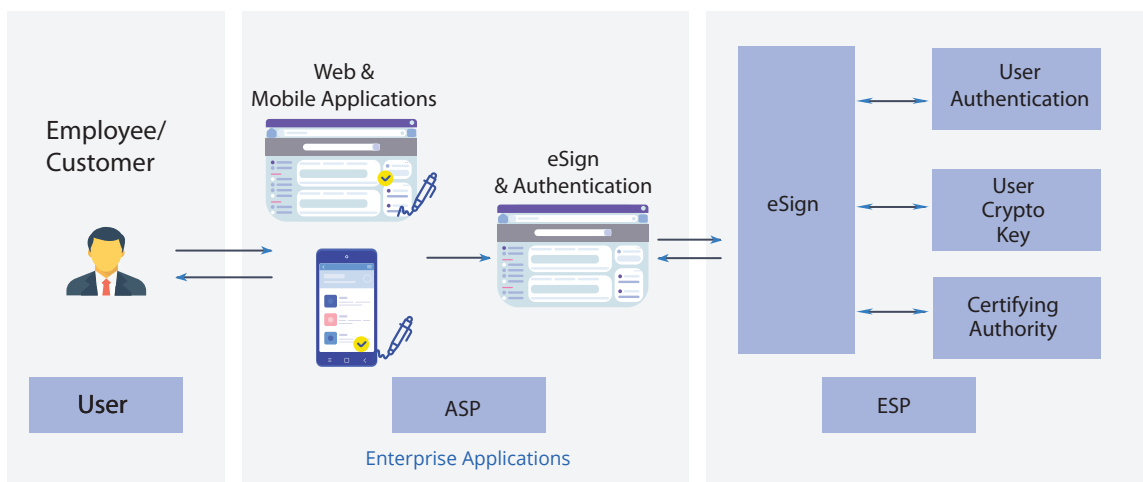
### Document Generated by the Enterprise



### Document Generated by the Counter Party



## eSign Architecture



## Technical Specifications

- Open API standards published by Government Regulator for interoperability
- Secure HTTPS REST APIs, compatible with all programming languages including Java, C#, C++, etc.
- eSign services conform to standards derived of Guidelines for Electronic Signatures (v3) by Controller of Certifying Authorities (CCA), Government of India
- No additional specialized hardware requirement and compatible with client's existing business application

## About eMudhra:

Much like the name, which is an embodiment of the seal of authenticity in the electronic or digital world, eMudhra is a cyber security solutions company and a trust service provider that is focused on accelerating the world's transition to a secure integrated digital society. With presence in 5 continents and a global delivery center in Bengaluru, India, eMudhra is empowering secure digital transformation of over 45 global banks, several Fortune 100 customers and thousands of SMEs.

